

# E37/E38/E39



E37&E38&E39 Circuit Breaker can be typically used in auxiliary and accessory circuits in truck, bus', RVs and marine systems . Others include batterychargers and DC audio systems. engine compartment and bilge area applications.

## Description:

- Single pole thermal type breakers.
- Rating:5-30A , 28Vdc.
- Interrupt Rating: 2000A @ 28 Vdc.
- Operating Temperature Rating: -40°C to 85°C.
- Storage Temperature Rating: -40°C to 125°C.
- Materials: UL-Rated 94V0 thermoplastic body.Tin-plated copper alloy terminals.
- Marking: Cover is color-coded to amerage ratings.
- Termination: 5.2 mm wide blades compatible with ATC fuses blocks.
- Compliances: SAEJ553; SAEJ1171(ignition protected)

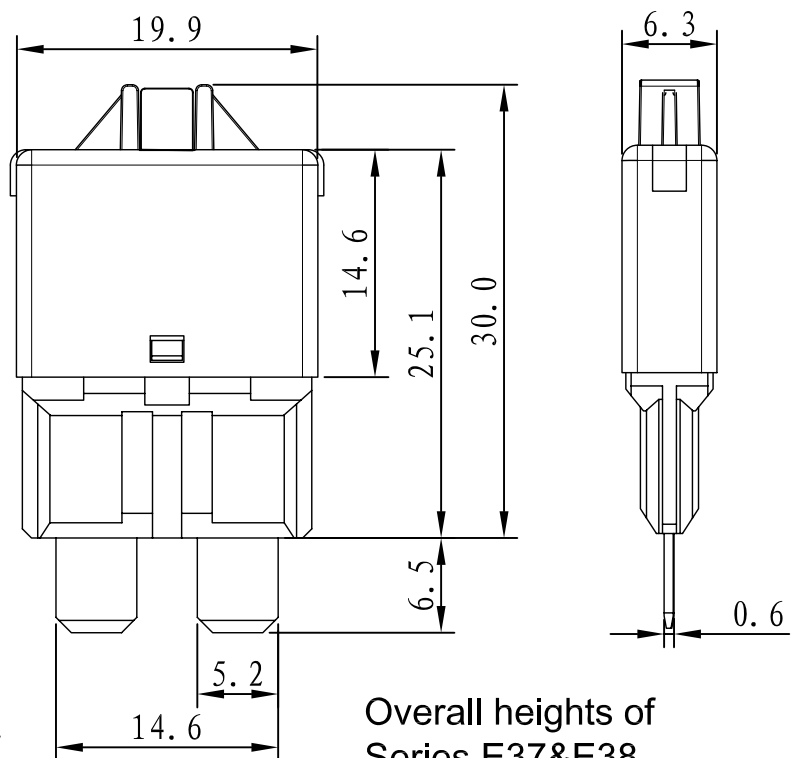
## Electrical Characteristics:

- Over-load Percentage 100% : No trip with 60 minutes.
- Over-load Percentage 150% : Trip within 20 minutes.
- Over-load Percentage 200% : Trip within 60 sec.

## Part Numbering System:

E39	□ □ A	00	
		00 - Standard ,Marking (Consult factory for special markings)	
05 - 5 amps [LT. Brown(tan)] 06 - 6 amps [Moss Green] 75 - 7.5 amps [Brown] 10 - 10 amps [Red] 15 - 15 amps [Blue] 20 - 20 amps [Yellow] 25 - 25 amps [White] 30 - 30 amps [Green]			
E37 Automatic Reset Type I			
E38 Modified Reset Type II			
E39 Manual Reset Type III			

## Dimensions: mm



## Standard Marking:

